

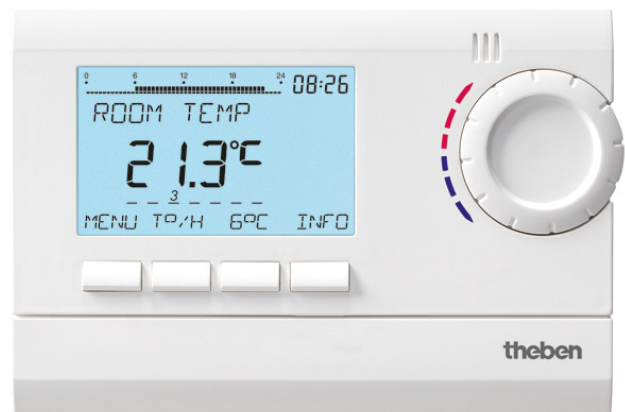
# RAMSES 832 top2

Item no.: 8320132

Climate control  
Clock thermostats

## Description

- Digital clock thermostat with low profile design for time-dependent monitoring and control of room temperature
- Mains version
- Suitable for energy-saving room temperature control in houses, apartments, heating zones, offices, showrooms, factories, medical practices, holiday homes
- Backlit display through keystroke
- External input for connection of presence detectors, temperature sensors, floor sensors, window contacts or telephone remote switches
- Optimisation function for automatic correction of heating start up
- Temperature is set quickly via rotary switch
- INFO key for viewing important settings
- Quick start-up via 3 basic programs with individually changeable comfort and reduced temperature
- Party / ECO program
- Fully automatic summer / winter-time correction
- Different control types can be individually set
- Optimum start option thanks to operating point and switching differential setting option
- 24 programmable time phases per program also enable reduction phases during the day
- Plug-in base for wall or flush-mounted socket installation



## Technical data

RAMSES 832 top2	
Operating voltage	230 V AC
Frequency	50 Hz
Type of connection	3- /4- conductors
Type of contact	Changeover contact
Switching capacity	6 A at 250 V AC, cos $\varphi$ = 1, 1 A at 250 V AC, cos $\varphi$ = 0.6
Switching capacity min.	1 mA
Setting range temperature	6°C ... 30°C
Setting range frost protection	6°C ... 10°C
Temperature display	exactly 0.1 °C
Time basis	Quartz
Program	Weekly program, Daily program, Holiday program, 3 basic programs
Number of memory locations	42, max. 24 per program
External inputs	1

RAMSES 832 top2	
Control types	Pulse width modulation, Hysteresis controller
Control period	5 – 30 min
Control capture range	$\pm 0.2$ – $\pm 5$ K
Control accuracy	$\leq \pm 0.2$ K
Mode of operation	Type 1 B as per EN 60730-1
Control types	2-point
Switching output	Potential-free, not for SELV
Suitable for SELV	No
Time accuracy at 25 °C	$\leq \pm 1$ s/day (quartz)
Power reserve	4 hours
Stand-by consumption	~0.4 W
Installation type	Wall installation
Type of protection	IP 20
Protection class	II according to EN 60 730-1

Subject to technical changes and misprints

additional information at: [www.theben.de/product/8320132](http://www.theben.de/product/8320132)

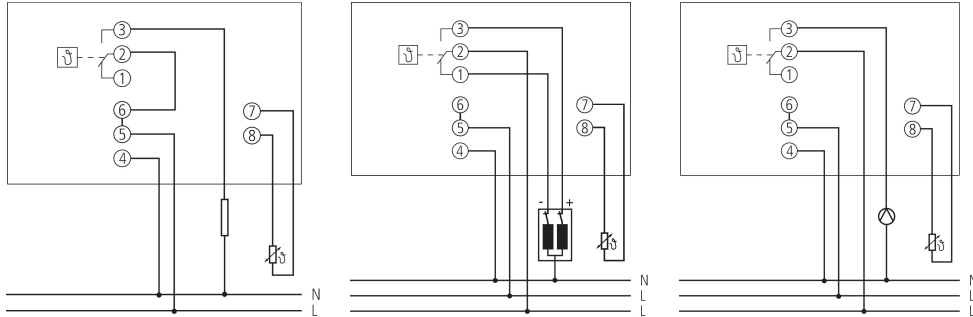
The load data are determined with exemplary selected illuminants and are therefore typical data due to the large number of available products.

# RAMSES 832 top2

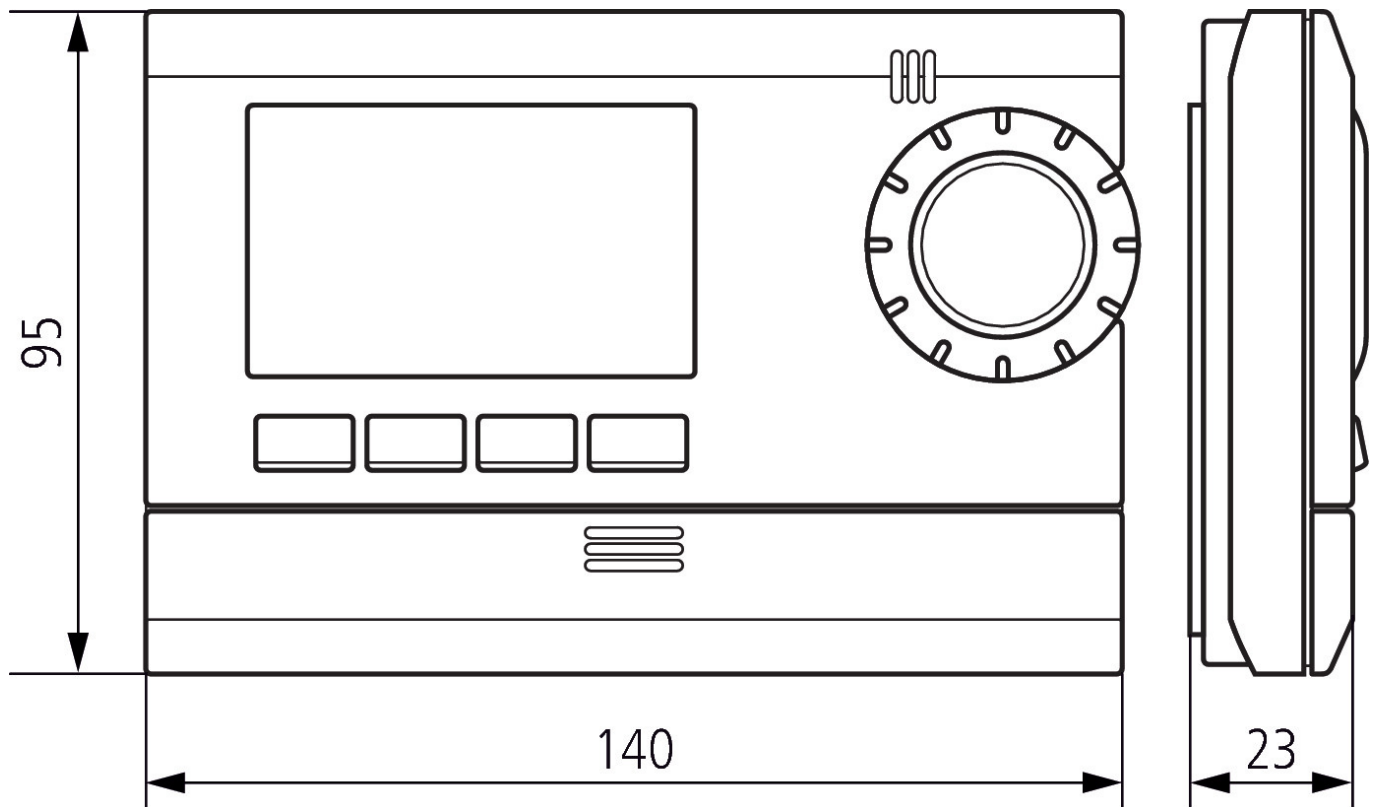
Item no.: 8320132



## Connection example



## Scale drawings



Subject to technical changes and misprints

additional information at: [www.theben.de/product/8320132](http://www.theben.de/product/8320132)

The load data are determined with exemplary selected illuminants and are therefore typical data due to the large number of available products.

17/12/2022

Page 2 of 3

# RAMSES 832 top2

Item no.: 8320132



## Accessories

---

Temperature sensor

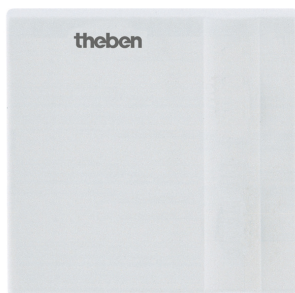
Item no.: 9070321



Temperature sensor RAMSES IP

65

Item no.: 9070459



Actuator ALPHA 5 230 V

Item no.: 9070441



Actuator ALPHA 5 24 V

Item no.: 9070442

